

# 4-44 DRIVEABILITY AND EMISSIONS CONTROLS

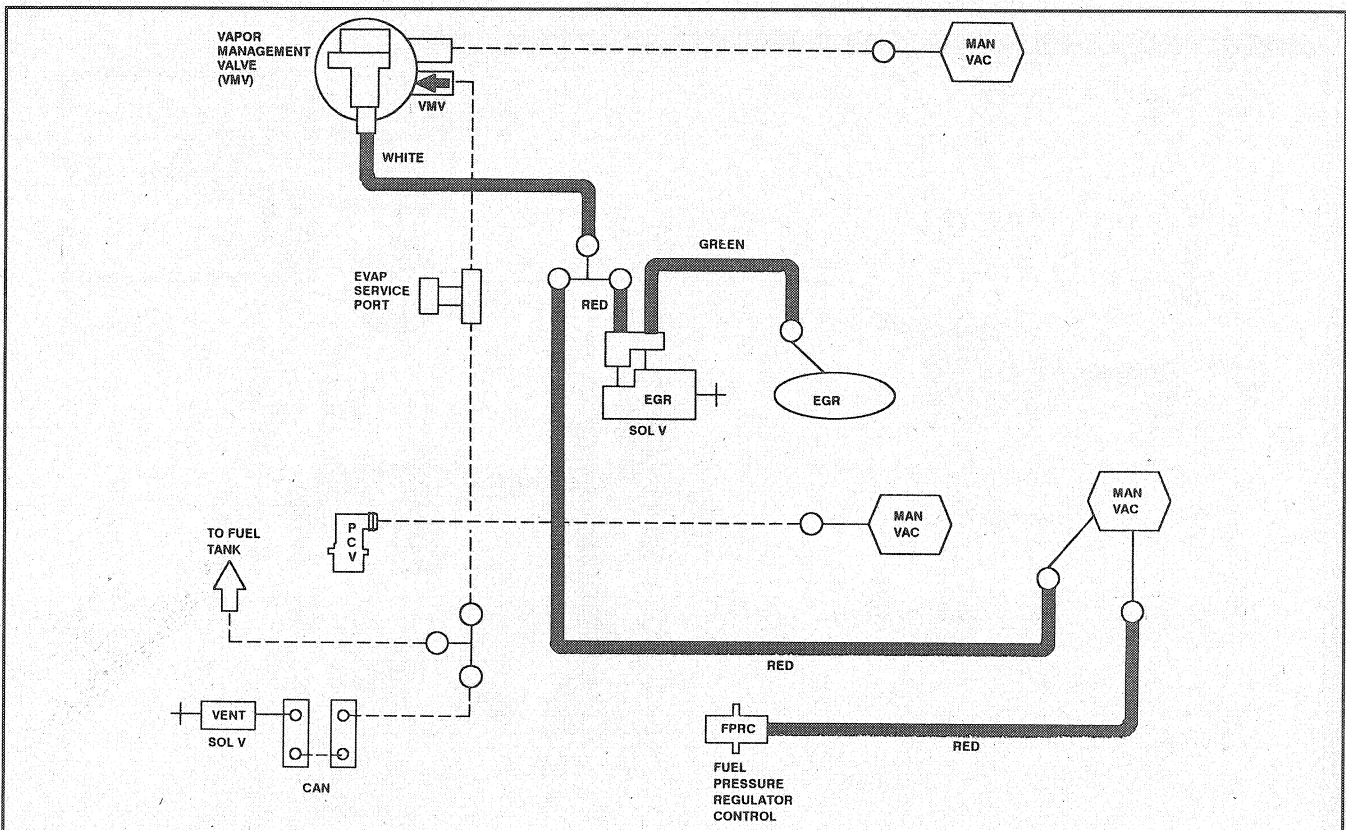


Fig. 117 1997 Town Car typical vacuum diagram—4.6L engine

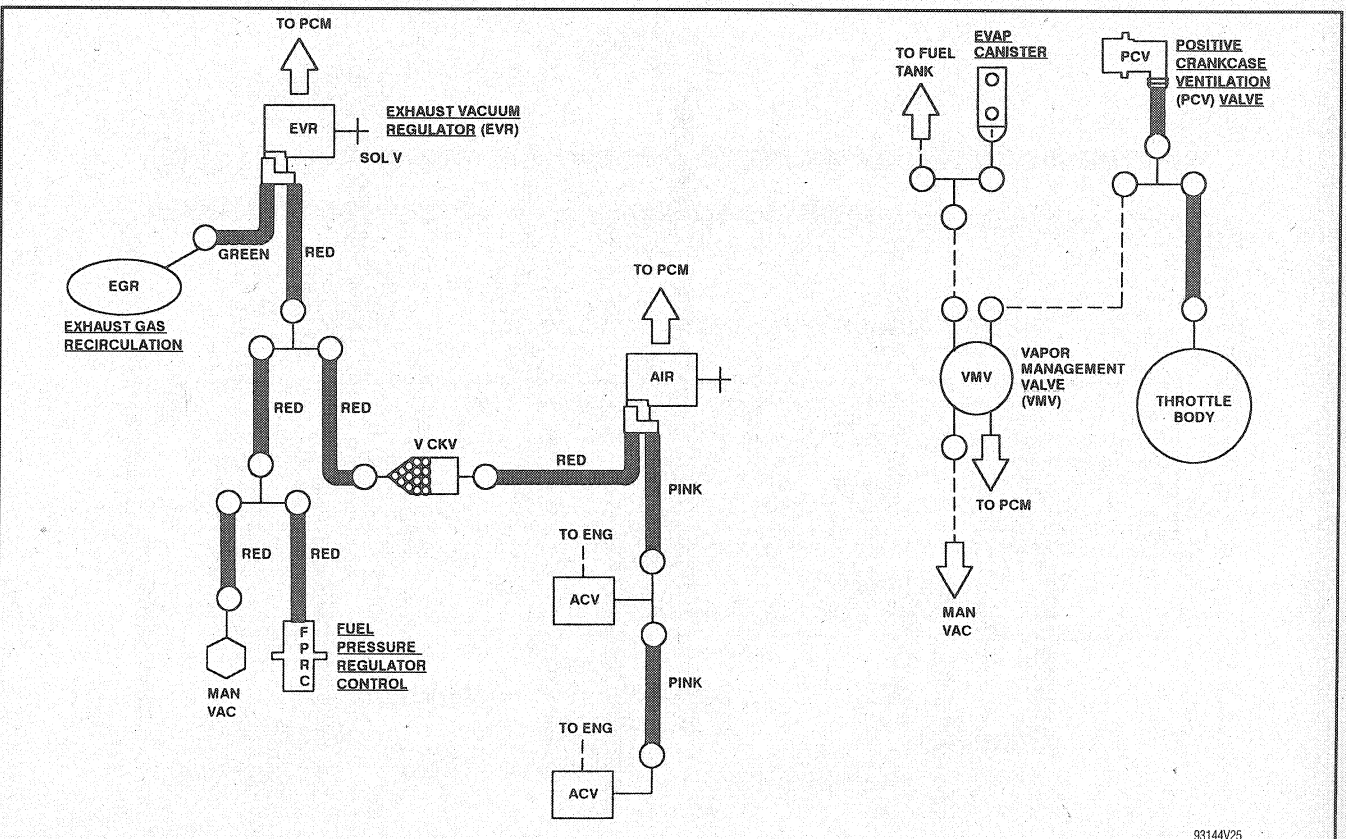


Fig. 118 1997 Continental typical vacuum diagram—4.6L engine