

[Click to enlarge](#)

3. Remove the wiper arm and blade assembly by first applying downward pressure on the wiper arm head while holding the wiper arm. Then, lift the arm to the highest position and, using finger pressure only, grasp the slide latch and slide the latch out from under the arm head. Remove the arm and blade assembly.

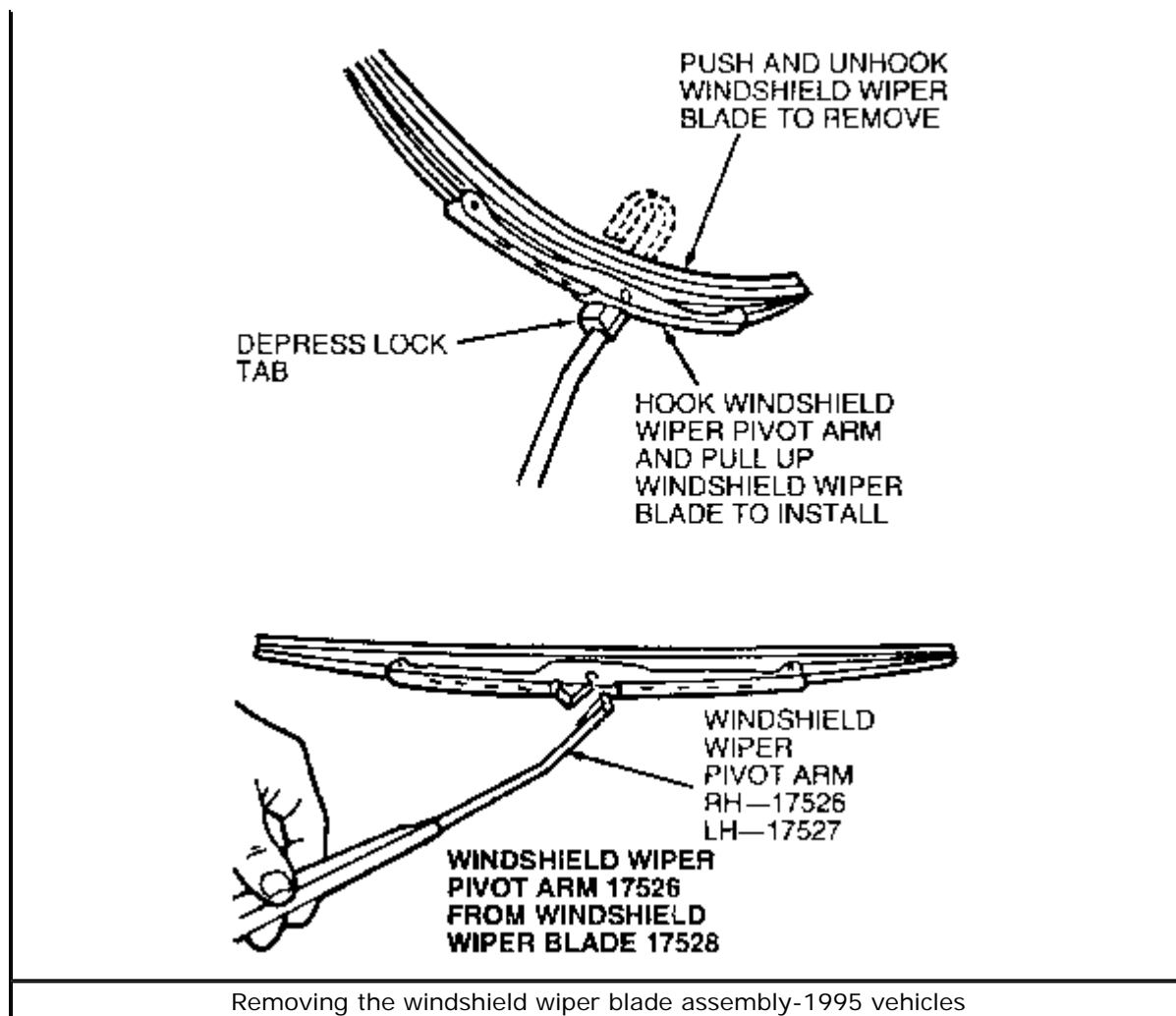


Using finger pressure only, grasp the slide latch tab and slide the latch out from under the arm head, then ...



... remove the arm and blade assembly

4. To remove the blade assembly for vehicles through 1994, insert a screwdriver into the slot provided at the top of the blade frame, push down on the spring lock and pull the blade assembly from the wiper arm pin.
5. To remove the blade assembly for 1995 vehicles, depress the locking tab on the windshield wiper blade, then slide the blade downward away from the windshield wiper pivot arm and remove the blade.

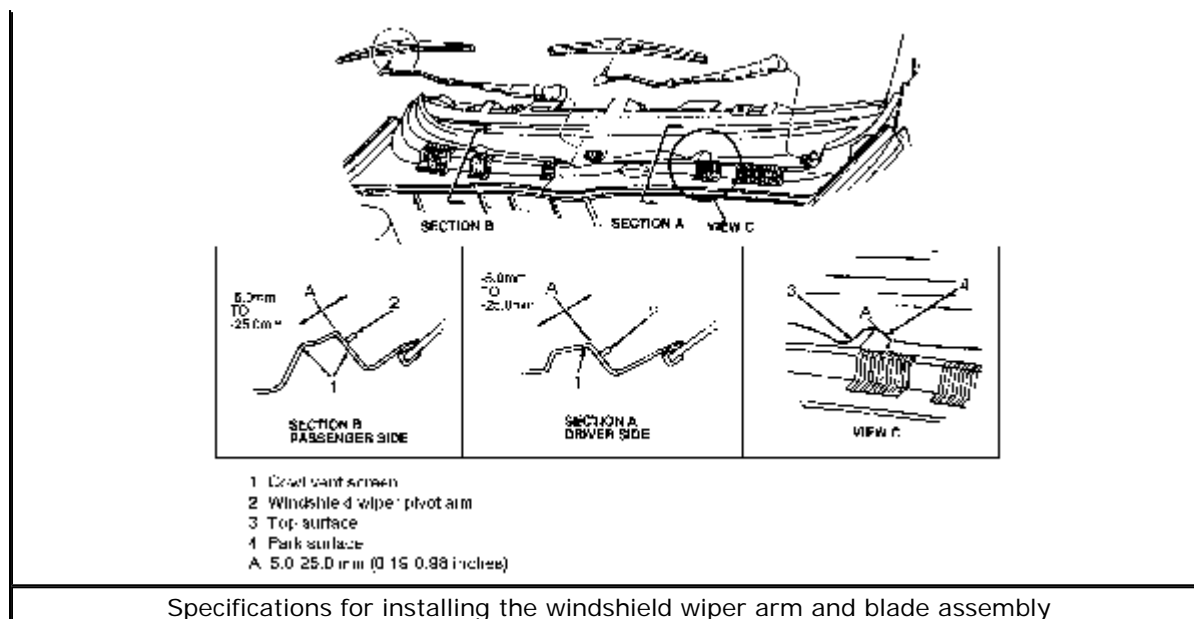


[Click to enlarge](#)

6. Install the blade onto the new replacement wiper arm assembly.

To install:

7. Position the bottom surface of the wiper arm parallel with the top surface of the cowl screen louvers, making sure that arm rests against the top surface of the cowl screen. Install the arm onto the pivot shaft with the latch slide in the unlatched (outward position).
8. While applying downward pressure on the arm head to ensure full seating, raise the other end of the arm enough to allow the latch to slide under the pivot assembly to the latched position.
9. Lift the (latched) wiper arm and blade assembly away from the top surface of the cowl screen louvers and position the arm only on the rearward surface of the wiper arm stop.



[Click to enlarge](#)

10. Make sure the blade is fully seated on the arm and the arm is against (rearward of) the the wiper stop, before operating the wipers to verify the correction.

If the blade does not touch the windshield, the slide latch is not completely in place.

11. Connect the negative side battery cable, then check for correct wiper operation.

ADJUSTMENT

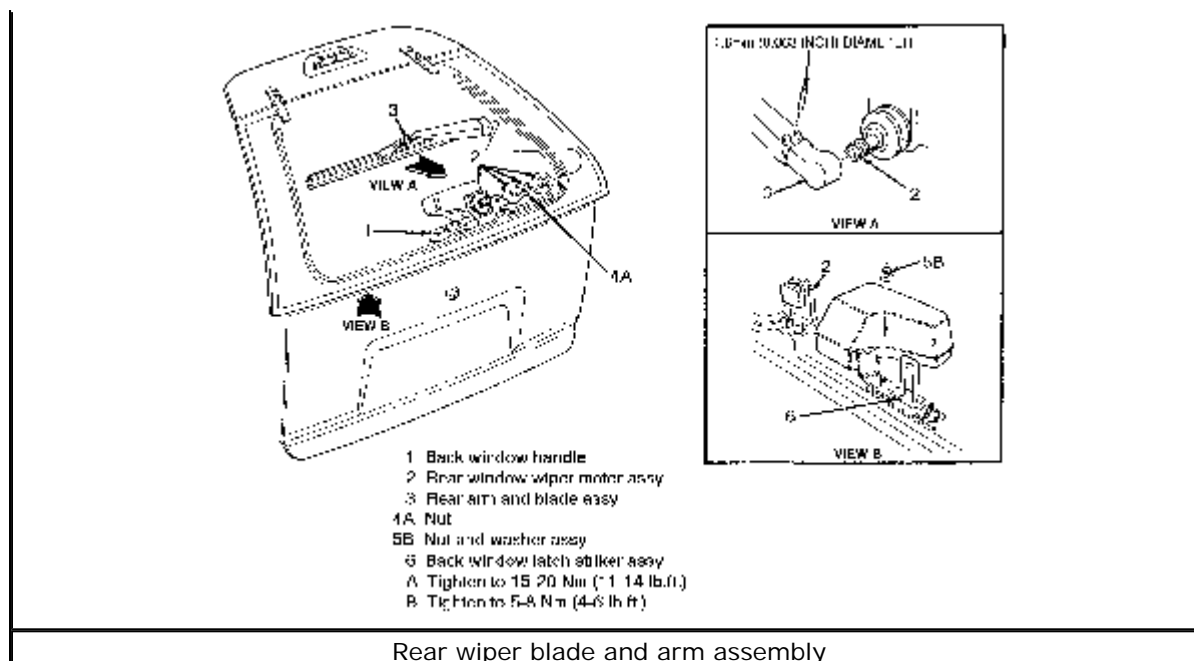
1. With the arm and blade assemblies removed from the pivot shafts, turn on the wiper switch and allow the motor to move the pivot shaft three or four cycles, then turn the wiper switch off. This will place the pivot shafts in the park position.
2. Install the arm and blade assemblies on the pivot shafts to the correct distance between the windshield lower molding or weatherstrip and the blade saddle centerline.

Rear Window Wiper Blade and Arm

REMOVAL & INSTALLATION

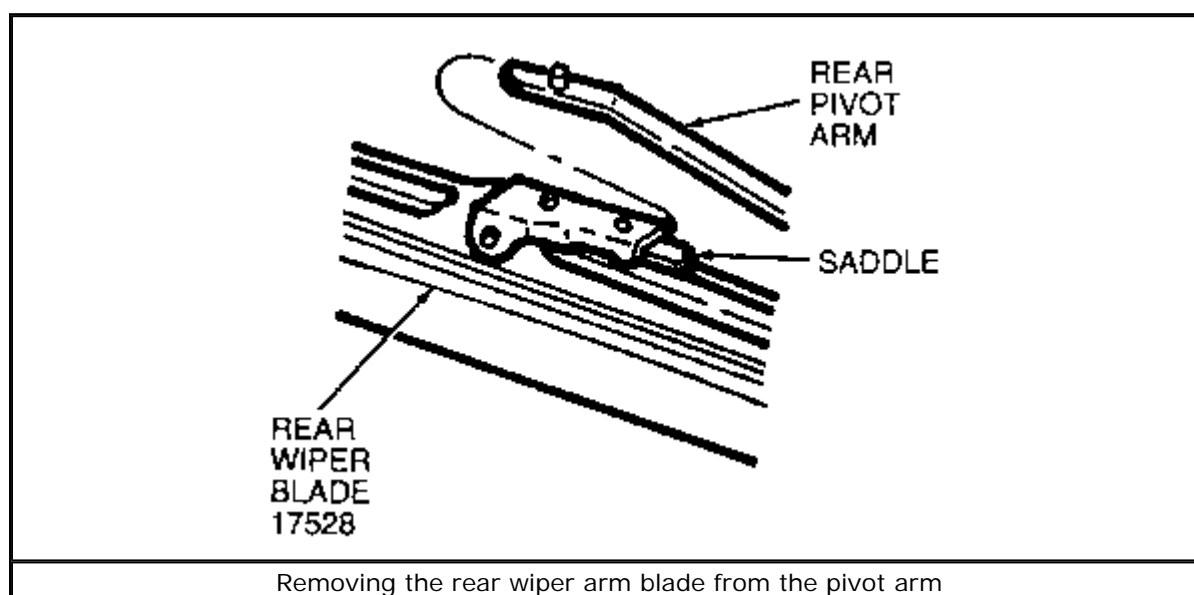
To avoid scratching the glass and/or paint, do not pry the wiper mounting arm and pivot shaft from the pivot arm with a metal or sharp tool.

1. Raise the arm away from the back window glass, then insert a 0.062 in. (1.6mm) pin into the holes in the retainer arm.
2. Lower the arm to the glass to relieve arm spring tension.
3. Lift the arm assembly off of the pivot shaft.



[Click to enlarge](#)

- To remove the rear wiper blade, press down on the arm to unlatch the top stud, then pull the blade from the rear wiper pivot arm.



[Click to enlarge](#)

To install:

- To install the rear wiper blade, slide the blade assembly on the the rear wiper pivot arm, then make sure that the top stud and bottom saddle are securely latched.
- Push the main arm head over the pivot shaft. Be sure that the pivot shaft is in the park position.
- Hold the main arm head on the pivot shaft while raising the blade end of the wiper arm and remove the 0.062 in. (1.6mm) pin.
- Lower the blade to the glass.

Windshield Wiper Motor

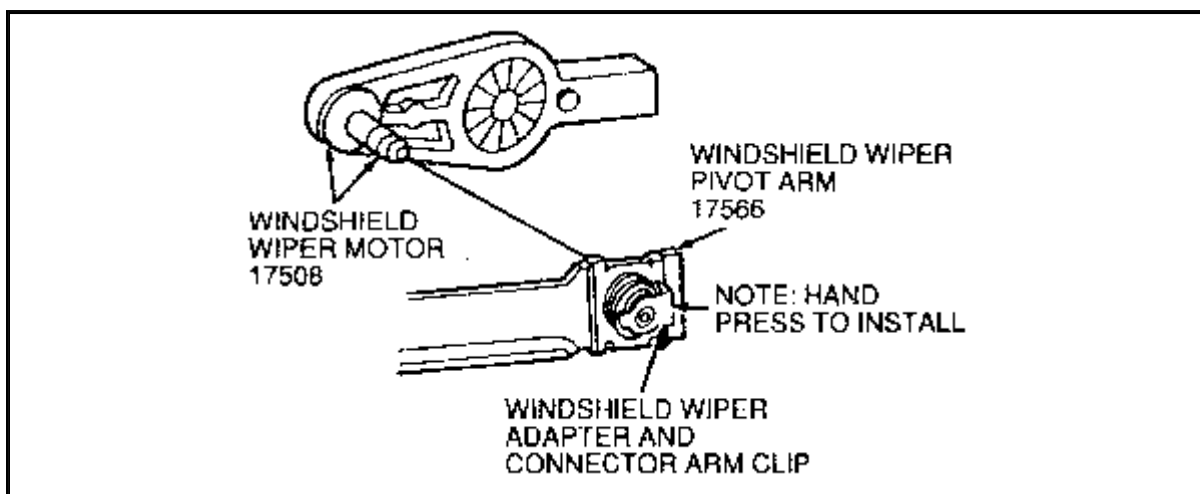
REMOVAL & INSTALLATION

1. Disconnect the negative, then the positive battery cables.
2. Disconnect the power lead from the windshield wiper motor.



Disconnect the power lead from the windshield wiper motor

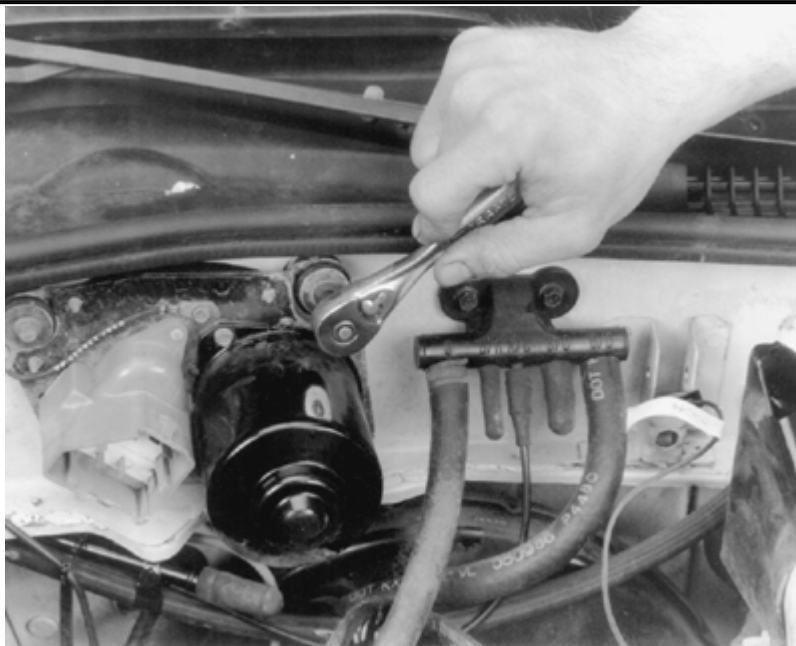
3. Remove the left windshield wiper pivot arm.
4. On 1991-95 vehicles, lift the water shield cover from the cowl on the passenger side.
5. On 1986-90 vehicles, remove the left cowl screen.
6. Remove the windshield wiper mounting arm and pivot shaft retaining clip from the operating arm on the motor by lifting the locking tab up, then pulling the clip away from the pin.



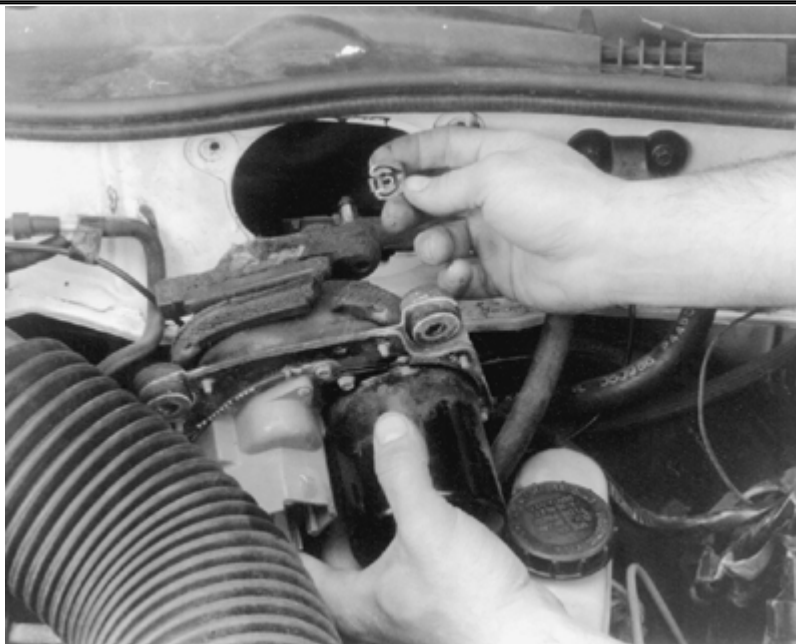
Location of the windshield wiper adapter and connector arm clip

[Click to enlarge](#)

7. Remove the attaching screws/bolts from the windshield motor and bracket assembly, then remove the assembly.



Remove the retaining bolts from the motor, then ...



... remove the windshield wiper motor assembly from the vehicle

To install:

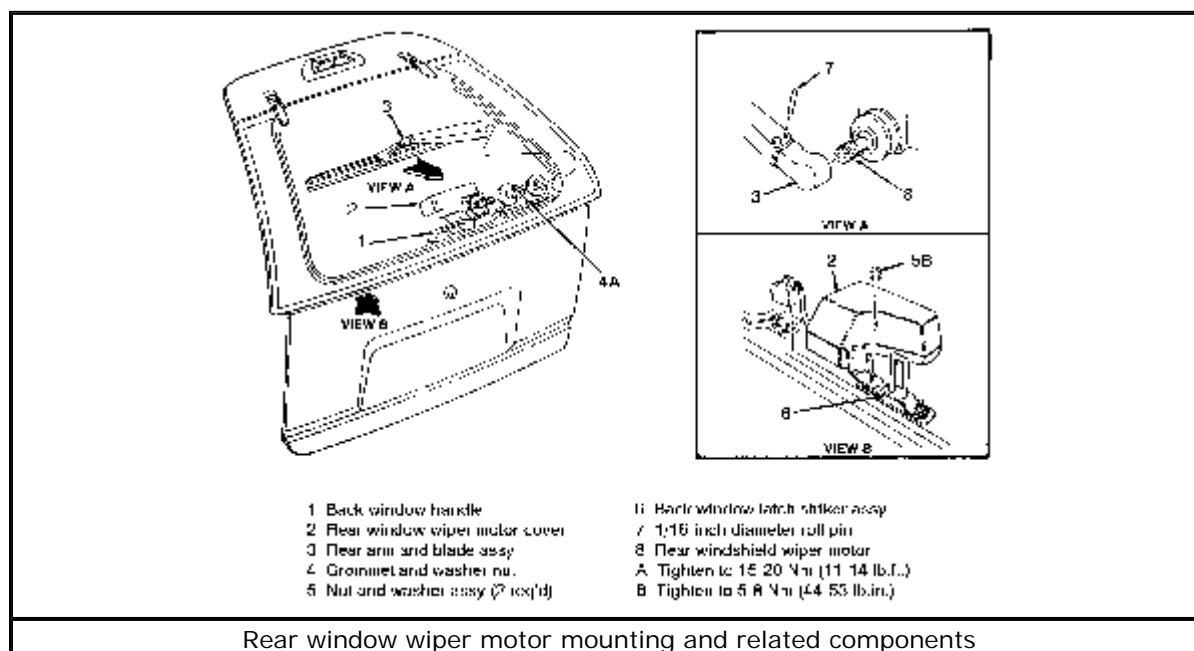
8. Position the windshield wiper motor, then install the retaining bolts/screws. Tighten to 60-80 inch lbs. (7-9 Nm).
9. Connect the power lead to the windshield wiper motor.
10. Install the retaining clip on the windshield wiper mounting arm.
11. Install the windshield wiper mounting arm and pivot shaft on the windshield wiper motor. Make sure that the mounting arm and pivot shaft is securely attached to the windshield wiper motor. Install the mounting arm and pivot shaft by pulling until the clip snaps in place.

12. Install the left-hand watershield or cowl screen, as applicable.
13. Connect the positive, then the negative battery cables, then check the wiper operation through all of the modes.
14. Install the left-hand windshield wiper blade.

Rear Window Wiper Motor

REMOVAL & INSTALLATION

1. Disconnect the negative battery cable.
2. Remove the rear wiper pivot arm and blade.
3. Remove the rear wiper pivot arm retaining nut and spacers.
4. By pulling on the connector only, not the wires, disengage the wiper motor electrical connector.
5. Remove the nut retaining the rear wiper motor to the handle, then remove the motor.



[Click to enlarge](#)

To install:

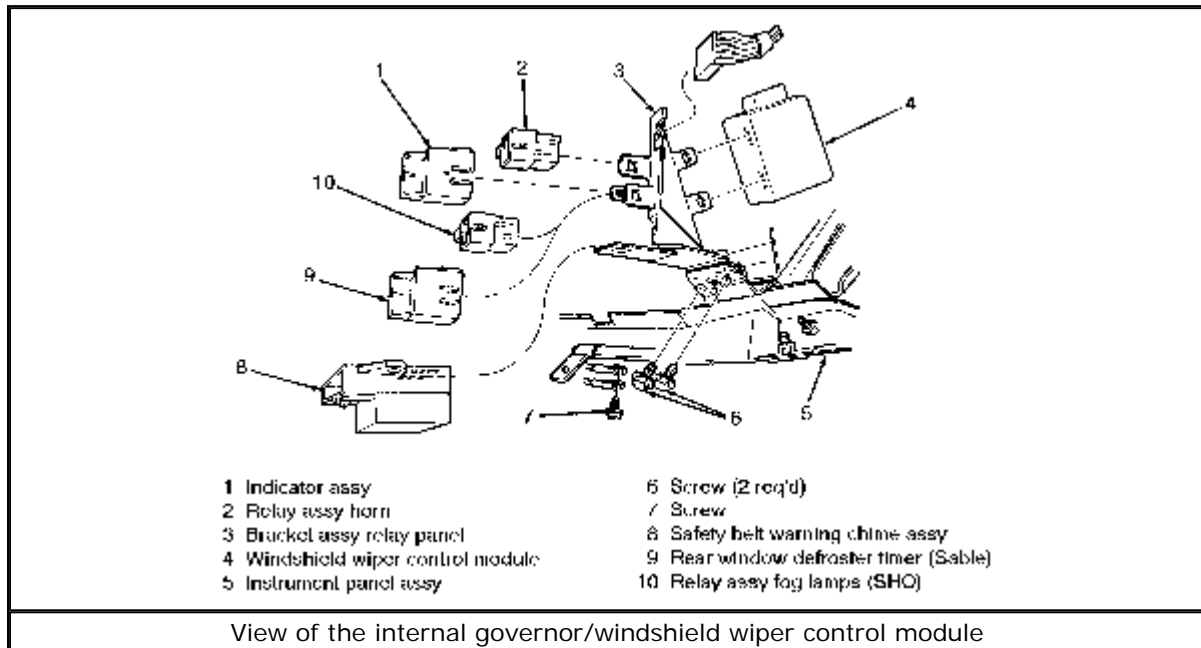
6. Install the motor to the handle, then secure using the retaining nut.
7. Engage the wiper motor electrical connector.
8. Install the rear wiper pivot arm retaining nut and spacers.
9. Install the rear wiper arm and blade.
10. Connect the negative battery cable.

Internal Governor/Windshield Wiper Control Module

REMOVAL & INSTALLATION

The internal governor is mounted on a bracket near the steering column support bracket.

1. Disconnect the negative battery cable.
2. Disengage the electrical connector.
3. Remove the two retaining screws, then remove the component from the vehicle.



[Click to enlarge](#)

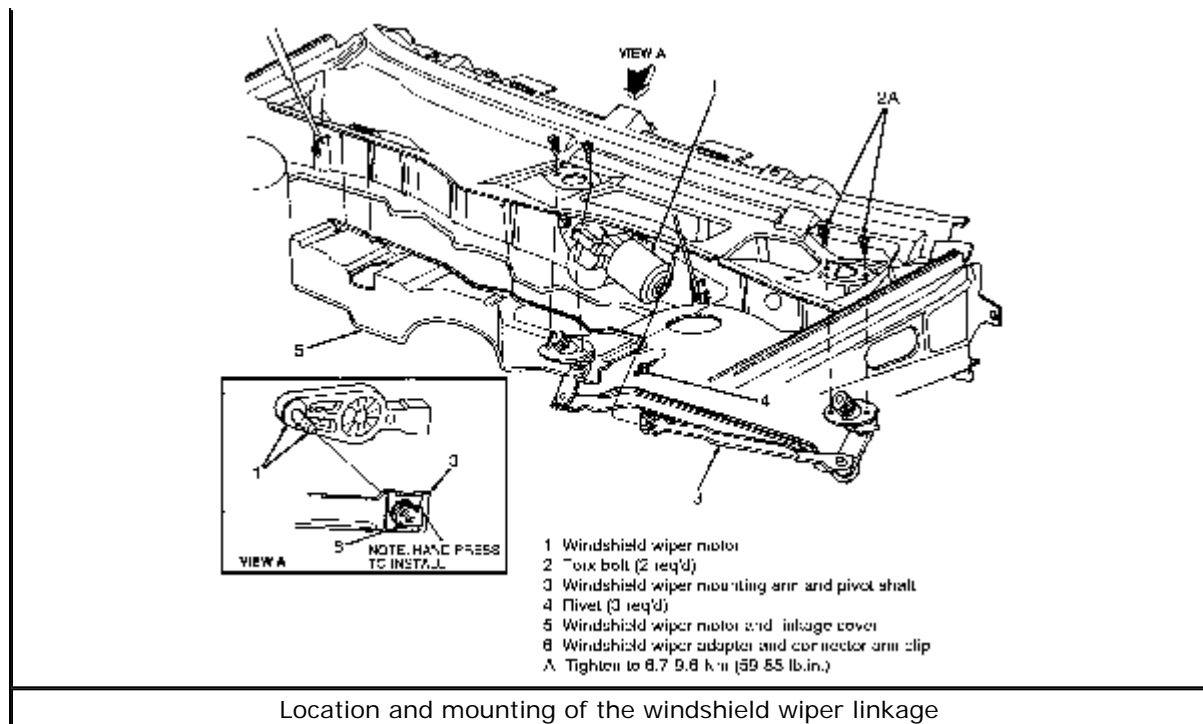
To install:

4. Install the component in the vehicle, then secure using the retaining screws.
5. Engage the electrical connector.
6. Connect the negative battery cable, then check the wiper system for proper operation.

Wiper Linkage

REMOVAL & INSTALLATION

1. Disconnect the negative battery cable.
2. Remove the wiper pivot arm and blade assembly from the wiper mounting arm and pivot shafts.
3. Remove both the right and left cowl vent screens.
4. Disconnect the linkage drive arm/windshield wiper mounting arm and pivot shaft from the motor crank pin after removing the clip.
5. Remove the screws/bolts retaining the windshield wiper mounting arm and pivot shafts to the cowl. Remove the linkage/wiper mounting arm and pivot shafts from the cowl chamber.



[Click to enlarge](#)

To install:

6. Install the linkage/wiper mounting arm and pivot shafts in the cowl chamber, then secure using the retaining screws/bolts.
7. Connect the linkage drive arm/wiper mounting arm and pivot shaft to the motor crank pin, then install the clip.
8. Install the left and right side cowl vent screens.
9. Install the wiper pivot arm and blade assembly to the wiper arm mounting arm and pivot shafts.
10. Connect the negative battery cable.

Windshield Washer Fluid Reservoir

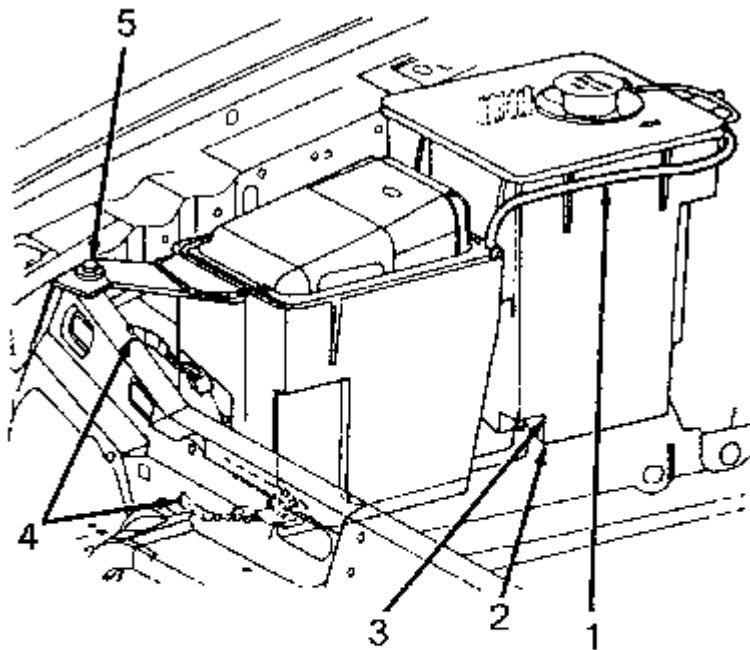
REMOVAL & INSTALLATION

Except Taurus SHO

1. Disconnect the negative battery cable.
2. Remove the assembly retaining screw.
3. Disengage the electrical connectors.

The reservoir will drain with the washer hose(s) disconnected.

4. Disconnect the windshield washer hose(s), then remove the assembly from the vehicle.



- 1 Windshield washer hose
- 2 Windshield washer reservoir
- 3 Windshield washer pump
- 4 Headlamp dash panel junction wire
- 5 Screw

Windshield washer fluid reservoir location and mounting-except SHO vehicles

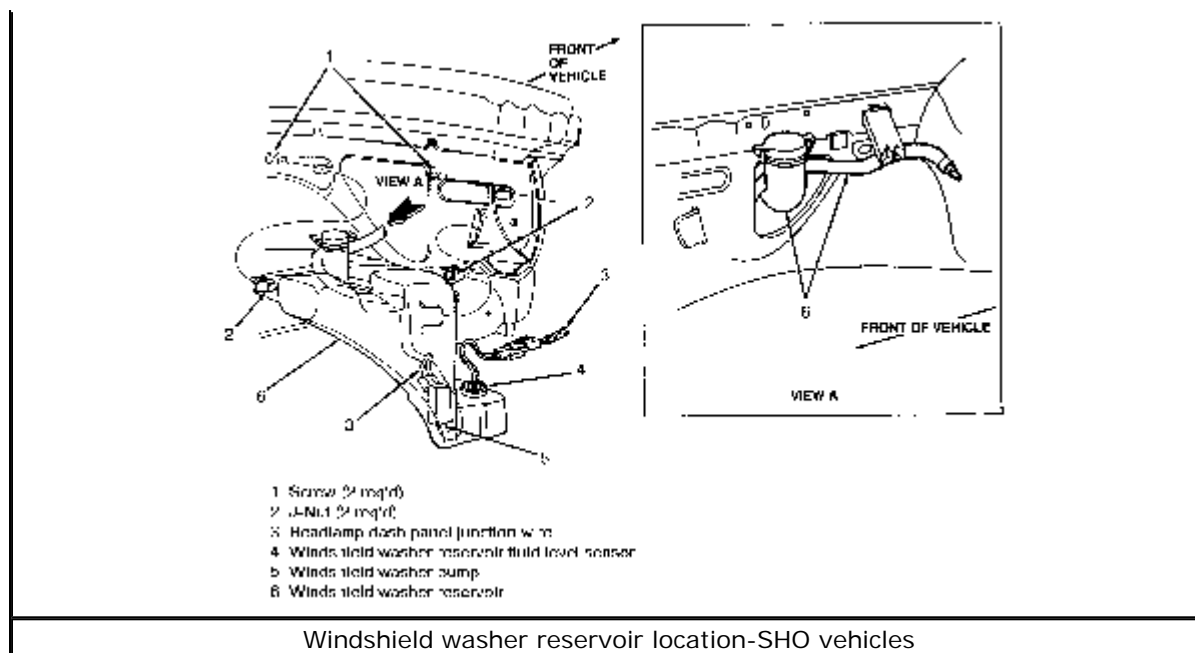
[Click to enlarge](#)

To install:

5. Install the reservoir assembly into the vehicle, then connect the windshield washer hose(s).
6. Engage the electrical connectors.
7. Install the reservoir assembly retaining screw.
8. Connect the negative battery cable, then fill the windshield washer reservoir with fluid.

Taurus SHO

1. Disconnect the negative battery cable.
2. Remove the two assembly retaining screws.
3. Remove the right side inner splash shield.
4. Disengage the electrical connectors.
5. Disconnect the hoses, then remove the windshield washer reservoir assembly from the vehicle.



[Click to enlarge](#)

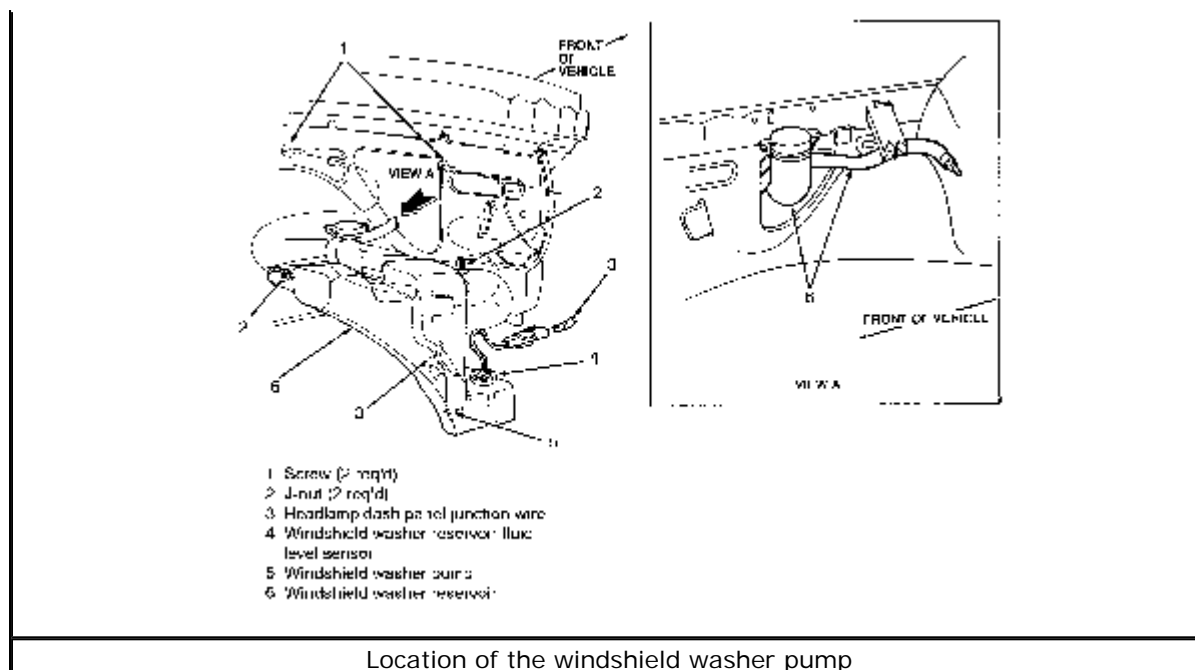
To install:

6. Install the reservoir assembly in the vehicle, then connect the hoses.
7. Engage the electrical connectors.
8. Install the right side inner splash shield.
9. Install the two windshield washer reservoir retaining screws.
10. Connect the negative battery cable, then fill the reservoir with fluid.

Windshield Washer Pump

REMOVAL & INSTALLATION

1. Disconnect the negative battery cable.
2. Remove the reservoir from the vehicle, then disengage the electrical connector and hoses.
3. Using a small suitable prytool, pry out the windshield washer pump, being careful not to damage the plastic housing.
4. Remove the one piece seal and filter, then inspect for damage and replace if necessary. Flush out the reservoir and clean any foreign material from the wiper motor cavity or washer reservoir.



[Click to enlarge](#)

To install:

5. Insert the seal. Lubricate the inside of the seal with soapy solution, then insert the pump into the reservoir cavity until it is firmly seated in the seal.
6. Engage the electrical connector, connect the hose, then install the reservoir in the vehicle.

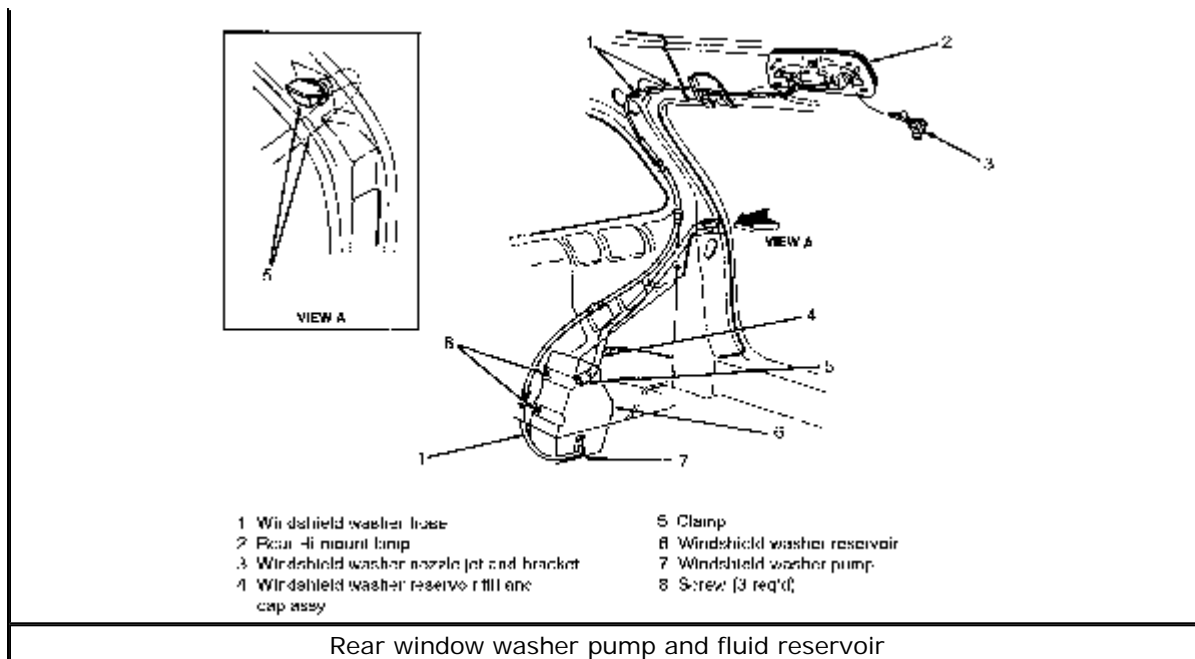
Do not operate the pump until fluid has been added to the reservoir.

7. Connect the negative battery cable, then add fluid to the windshield washer reservoir.

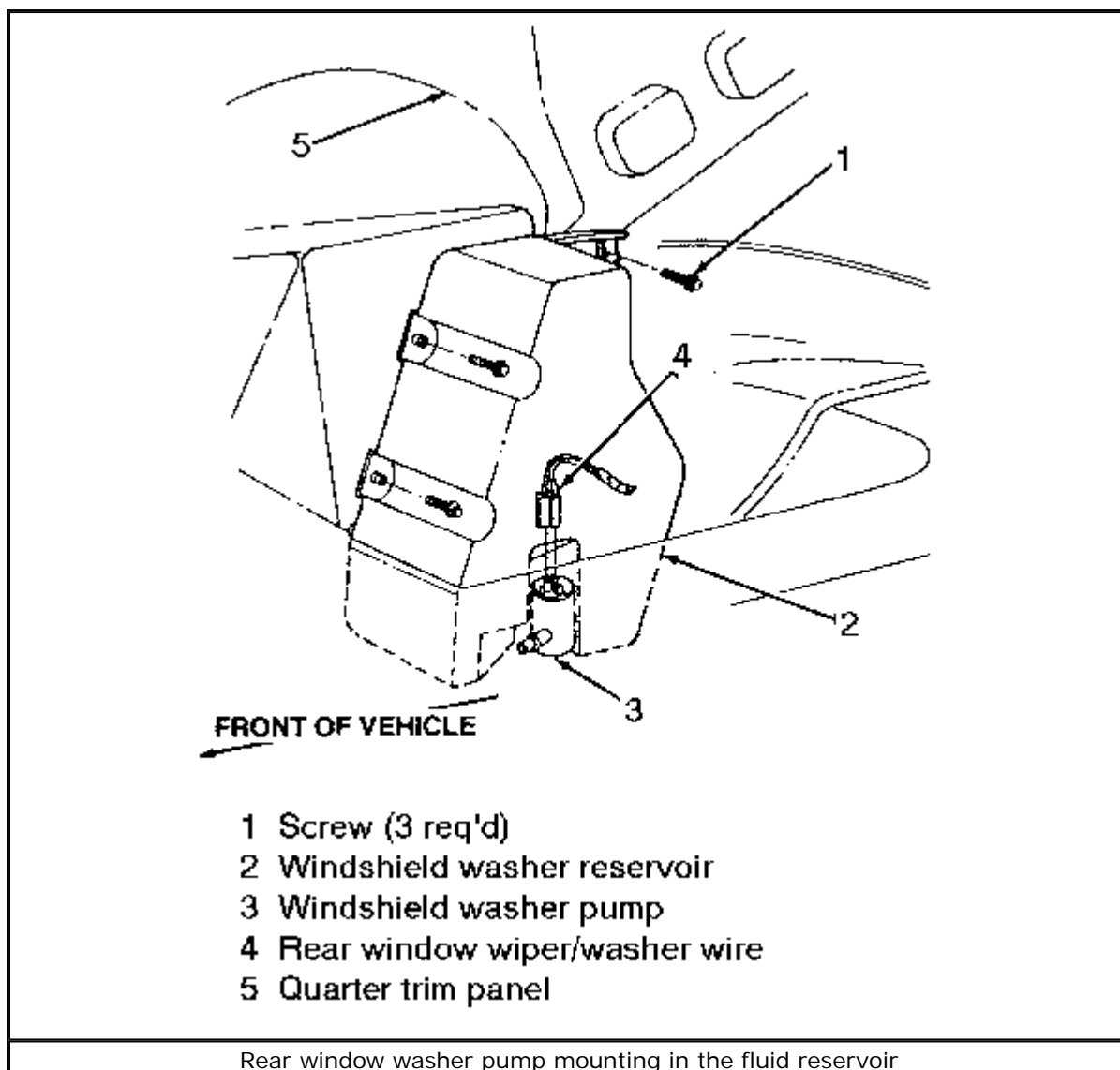
Rear Window Washer Pump and Fluid Reservoir

REMOVAL & INSTALLATION

1. Disconnect the negative battery cable.
2. Remove the right-hand quarter trim panel.
3. Disengage the reservoir electrical connector, supply window washer hose, and the windshield washer nozzle jet and bracket.
4. Remove the reservoir retaining screws, then remove the reservoir assembly from the vehicle.
5. Using a small suitable prytool, pry out the windshield washer pump, being careful not to damage the plastic housing.
6. Remove the one piece seal and filter, then inspect for damage and replace if necessary. Flush out the reservoir and clean any foreign material from the wiper motor cavity or washer reservoir.



[Click to enlarge](#)



[Click to enlarge](#)

To install:

- 7. Insert the seal. Lubricate the inside of the seal with soapy solution, then insert the pump into the reservoir cavity until it is firmly seated in the seal.**
- 8. Engage the electrical connector, connect the supply window washer hose, then install the reservoir in the vehicle and secure using the retaining screws.**

Do not operate the pump until fluid has been added to the reservoir.

- 9. Connect the negative battery cable, then add fluid to the windshield washer reservoir.**
- 10. Install the quarter trim panel.**

Chilton® Automotive Information Systems. © 2004 Thomson Delmar Learning.